

**APPLICATIONS**

FLOWTECH Linear Slot Diffuser (LSD) is a high capacity slot diffuser suited to a wide range of applications.

With its pleasant aesthetic appearance it can be used in variety of prestigious locations such as Lobbies, Dining Hall, Hotels, Palaces and Building Entrances where aesthetic is architecturally critical. For this purpose, FLOWTECH LSD can be supplied in a straight or curved shape with a wide variety of powder coated colors.

Functionally, Linear Slot Diffusers are used in large open areas where perimeter supply or return is required. FLOWTECH LSD is provided with unique curved design of air deflecting vanes which can be adjusted as required to achieve precise control of air flow direction. Usually directional control is required towards perimeter heat source or away from adjacent glass areas.

With its steady performance at variable air flow rates, FLOWTECH LSD can be effectively used as part of VAV systems. It can be combined with unitary plenum boxes of designer choice.

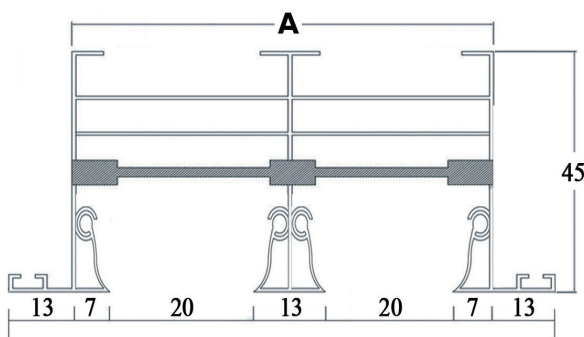
FLOWTECH LSD can be used as supply air diffuser, return air diffuser or dummy ceiling diffuser for decorative purposes.



**SUPPLY LINEAR SLOT DIFFUSER WITH HIT & MISS DAMPER AND WITH DEFLECTORS - 20mm FRAME (SLSD-20) & RETURN LINEAR SLOT DIFFUSER WITH HIT DAMPER AND WITHOUT DEFLECTORS - 20MM FRAME (RLSD-20)**



45° Supply Linear Slot Diffusers (SLSD-20)



Type SLSD-20 with Deflectors and Hit & Miss Dampers

Standard slot width is 1/2" (16mm), 3/4" (20mm) and 1" (25mm). Available in 1 to 8 slots.

180° fully adjustable air flow patterns by means of two air deflector blades per slot.

Available in Hit and Miss Damper of GI sheet to control air flow rate without affecting the air flow patterns.

Both Deflector Blades and Hit & Miss Damper are powder coated with black color.

Frame and curved deflection blades are made of extruded aluminium alloy 6063 to T6 Heat Treatment.

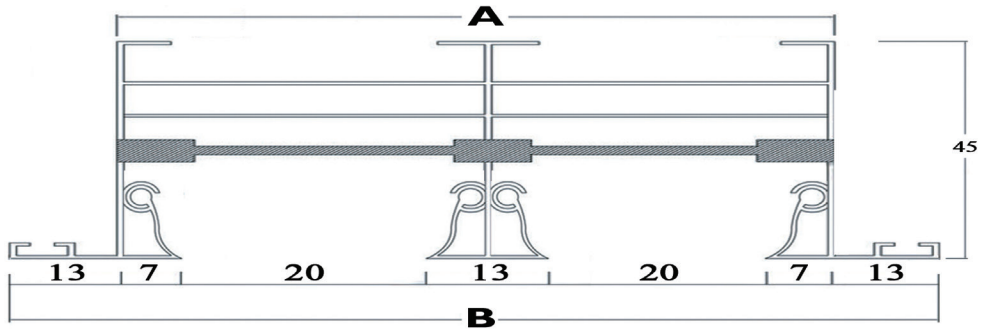
For maximum rigidity, profiles are fixed at equally spaced intervals using Screw Rods and Cylindrical shims of 6mm diameter, made of extruded aluminium.

Curved Segments are available for both sidewall curves (CS) and ceiling curves (CP), with minimum radius of curvature of 1000mm.

Surface mount design.

Maximum of one piece length is 3000mm. Larger pieces are jointed using hairline butt joints held by special alignment strips to ensure continuous unbroken runs.

**DIMENSIONS (FIXED 45° ENDCAP) - SLSD-20 / RLSD-20**



Type SLSD-20 with Deflectors and Hit & Miss Dampers

**Standard Slot Size 25 mm**

No. of Slots	1 Slot	2 Slot	3 Slot	4 Slot	5 Slot	6 Slot	7 Slot	8 Slot
Neck Size A (mm)	40	79	117	157	196	235	273	312
Neck Size B (mm)	65	103	143	182	222	260	292	337

**Standard Slot Size 20 mm**

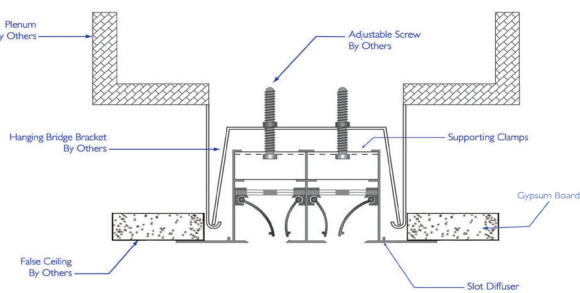
No. of Slots	1 Slot	2 Slot	3 Slot	4 Slot	5 Slot	6 Slot	7 Slot	8 Slot
Neck Size A (mm)	36	70	104	138	172	206	241	274
Neck Size B (mm)	60	94	128	164	198	232	265	299

**Standard Slot Size 16 mm**

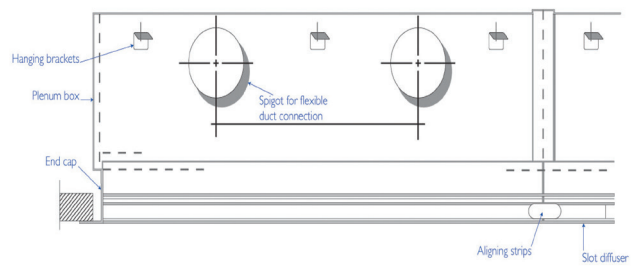
No. of Slots	1 Slot	2 Slot	3 Slot	4 Slot	5 Slot	6 Slot	7 Slot	8 Slot
Neck Size A (mm)	32	62	92	122	152	183	213	242
Neck Size B (mm)	56	86	113	146	177	203	238	267

**MOUNTING OPTION**

Recommended Mounting of Linear Slot Diffuser with a Plenum Box



Mounting of Linear Slot Diffuser with a Plenum Box



**FINISH OPTION**

Available in powder coated RAL 9010 or 9016 as standard color.  
Deflectors and Hit & Miss Damper are powder coated in black color as standard.  
Other powder coated finishes are available on request.

**ACCESSORIES**

**Plenum Boxes:**

Suitable for supply and exhaust linear slot diffuser. (SLSD-20 / RLSD-20)

Galvanized steel construction.

Supply as standard with one side inlet per metre length.

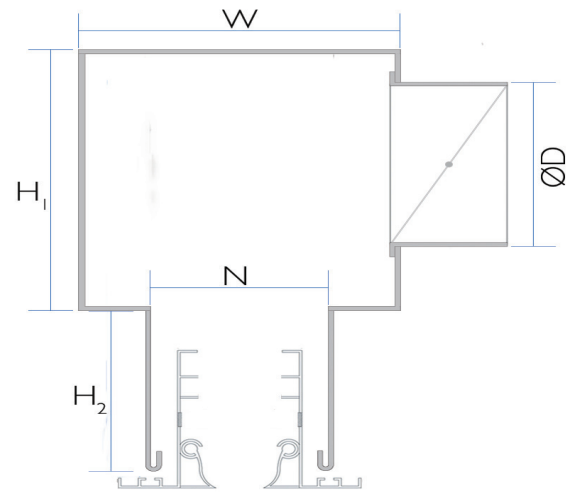
**Options:**

Manual quadrant damper, code RVCD.

**Sizes:**

Maximum length available 24000mm.

Other Ø D available on request.



Plenum Boxes, for 45°end cap

**Standard Slot Size 25 mm - 45° END CAP**

No. of Slots	1 Slot	2 Slot	3 Slot	4 Slot	5 Slot	6 Slot	7 Slot	8 Slot
H <sub>1</sub>	225	225	275	275	325	325	375	375
H <sub>2</sub>	75	75	75	75	75	75	75	75
N	48	87	125	165	204	243	281	320
ØD	150	150	200	200	250	250	300	300
W	153	197	243	285	330	373	417	461

**Standard Slot Size 20 mm - 45° END CAP**

No. of Slots	1 Slot	2 Slot	3 Slot	4 Slot	5 Slot	6 Slot	7 Slot	8 Slot
H <sub>1</sub>	225	225	275	275	325	325	375	375
H <sub>2</sub>	75	75	75	75	75	75	75	75
N	44	78	112	146	180	214	249	282
ØD	150	150	200	200	250	250	300	300
W	148	187	226	265	304	343	382	421

**Standard Slot Size 16 mm - 45° END CAP**

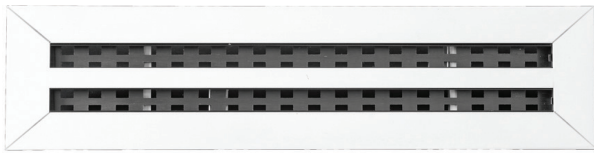
No. of Slots	1 Slot	2 Slot	3 Slot	4 Slot	5 Slot	6 Slot	7 Slot	8 Slot
H <sub>1</sub>	175	225	225	275	275	325	325	375
H <sub>2</sub>	75	75	75	75	75	75	75	75
N	40	70	100	130	160	191	221	250
ØD	100	150	150	200	200	250	250	300
W	143	177	211	245	279	313	347	383

**Notes:**

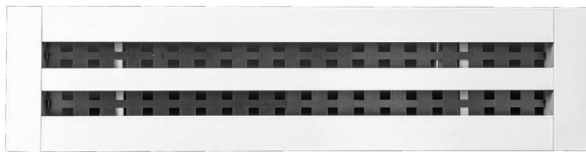
The above parameters for 1m length.

Maximum length as a single piece is 2.4m.

**SUPPLY LINEAR SLOT DIFFUSER WITH HIT & MISS DAMPER AND WITH DEFLECTORS (SLSD) & RETURN LINEAR SLOT DIFFUSER WITH HIT DAMPER AND WITHOUT DEFLECTORS (RLSD)**



45° Supply Linear Slot Diffusers (SLSD)



90° Supply Linear Slot Diffusers (SLSD)

Maximum of one piece length is 3000mm. Larger pieces are jointed using hairline butt joints held by special alignment strips to ensure continuous unbroken runs.

Available in 1 to 8 slots.

Standard slot width is 1/2" (16mm), 3/4" (20mm) and 1" (25mm).

180° fully adjustable air flow patterns by means of two air deflector blades per slot.

Available in Hit and Miss Damper of GI sheet to control air flow rate without affecting the air flow patterns.

Both Deflector Blades and Hit & Miss Damper are powder coated with black color.

Frame and curved deflection blades are made of extruded aluminium alloy 6063 to T6 Heat Treatment.

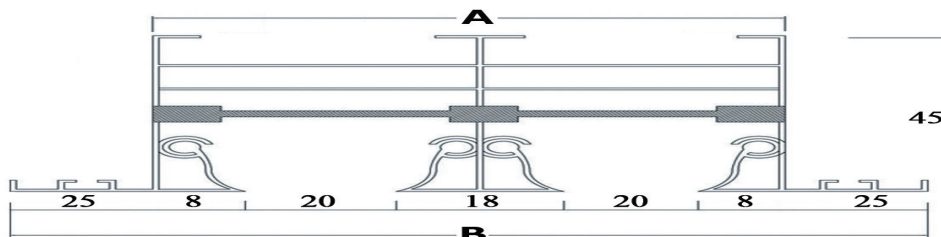
For maximum rigidity, profiles are fixed at equally spaced intervals using Screw Rods and Cylindrical shims of 6mm diameter, made of extruded aluminium.

Curved Segments are available for both sidewall curves (CS) and ceiling curves (CP), with minimum radius of curvature of 1000mm.

Surface mount design.

Also available with a 90° end cap

**DIMENSIONS (FIXED 45° ENDCAP) - SLSD / RLSD**



Type SLSD with Deflectors and Hit & Miss Dampers

**Standard Slot Size 25 mm**

No. of Slots	1 Slot	2 Slot	3 Slot	4 Slot	5 Slot	6 Slot	7 Slot	8 Slot
Neck Size A (mm)	45	89	134	177	222	265	309	353
Neck Size B (mm)	91	137	179	223	269	314	355	399

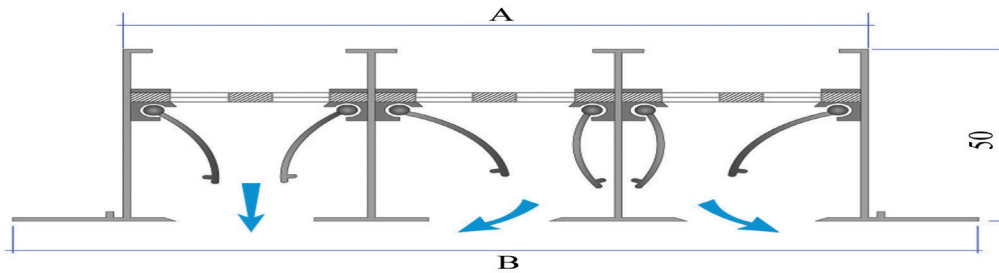
**Standard Slot Size 20 mm**

No. of Slots	1 Slot	2 Slot	3 Slot	4 Slot	5 Slot	6 Slot	7 Slot	8 Slot
Neck Size A (mm)	40	79	118	157	196	235	274	313
Neck Size B (mm)	87	125	164	200	242	281	320	359

**Standard Slot Size 16 mm**

No. of Slots	1 Slot	2 Slot	3 Slot	4 Slot	5 Slot	6 Slot	7 Slot	8 Slot
Neck Size A (mm)	35	69	103	137	171	205	239	275
Neck Size B (mm)	82	116	150	184	218	252	286	320

**DIMENSIONS (REMOVABLE 90° END CAP MODEL) - SLSD / RLSD**



Type SLSD with Deflectors and Hit & Miss Dampers (90° End Cap Model)

Standard Slot Size 25 mm								
No. of Slots	1 Slot	2 Slot	3 Slot	4 Slot	5 Slot	6 Slot	7 Slot	8 Slot
Neck Size A (mm)	45	89	133	177	221	265	309	355
Neck Size B (mm)	81	125	170	215	260	304	347	393

Standard Slot Size 20 mm								
No. of Slots	1 Slot	2 Slot	3 Slot	4 Slot	5 Slot	6 Slot	7 Slot	8 Slot
Neck Size A (mm)	40	79	118	157	198	235	274	315
Neck Size B (mm)	76	115	154	193	235	272	312	354

Standard Slot Size 16 mm								
No. of Slots	1 Slot	2 Slot	3 Slot	4 Slot	5 Slot	6 Slot	7 Slot	8 Slot
Neck Size A (mm)	36	70	104	138	172	206	240	274
Neck Size B (mm)	72	106	140	174	208	244	276	313

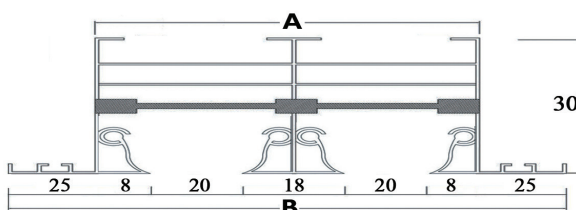
**SUPPLY LINEAR SLOT DIFFUSER WITH HIT & MISS DAMPER AND WITHOUT DEFLECTORS (SLSD-S) & RETURN LINEAR SLOT DIFFUSER WITH HIT DAMPER AND WITHOUT DEFLECTORS (RLSD-S)**



45° Supply Linear Slot Diffusers (SLSD-S)



90° Linear Slot Diffusers (SLSD-S)



SLSD-S with Hit & Miss Dampers

Available in Hit and Miss Damper of GI sheet to control air flow rate without affecting the air flow patterns.

Hit & Miss Damper are powder coated with black color.

Frame and curved deflection blades are made of extruded aluminium alloy 6063 to T6 Heat Treatment.

For maximum rigidity, profiles are fixed at equally spaced intervals using Screw Rods and Cylindrical shims of 6mm diameter, made of extruded aluminium.

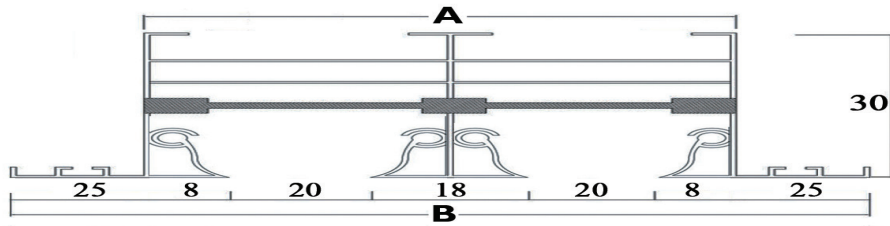
Curved Segments are available for both sidewall curves (CS) and ceiling curves (CP), with minimum radius of curvature of 1000mm.

Maximum of one piece length is 3000mm. Larger pieces are jointed using hairline butt joints held by special alignment strips to ensure continuous unbroken runs.

Available in 1 to 8 slots. Also available with a 90° end cap

Standard slot width is 1/2" (16mm), 3/4" (20mm) and 1" (25mm).

**DIMENSIONS (FIXED 45° ENDCAP) - SLSD-S & RLSD-S**



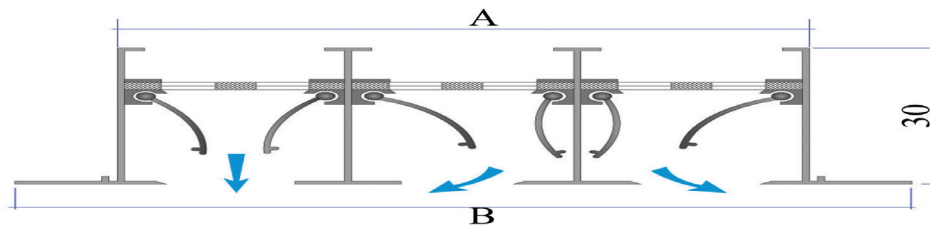
SLSD-S with Hit & Miss Dampers

Standard Slot Size 25 mm								
No. of Slots	1 Slot	2 Slot	3 Slot	4 Slot	5 Slot	6 Slot	7 Slot	8 Slot
Neck Size A (mm)	45	89	134	177	222	265	309	353
Neck Size B (mm)	91	137	179	223	269	314	355	399

Standard Slot Size 20 mm								
No. of Slots	1 Slot	2 Slot	3 Slot	4 Slot	5 Slot	6 Slot	7 Slot	8 Slot
Neck Size A (mm)	40	79	118	157	196	235	274	313
Neck Size B (mm)	87	125	164	200	242	281	320	359

Standard Slot Size 16 mm								
No. of Slots	1 Slot	2 Slot	3 Slot	4 Slot	5 Slot	6 Slot	7 Slot	8 Slot
Neck Size A (mm)	35	69	103	137	171	205	239	275
Neck Size B (mm)	82	116	150	184	218	252	286	320

**DIMENSIONS (REMOVABLE 90° END CAP MODEL) - SLSD-S & RLSD-S**



SLSD-S with Hit & Miss Dampers (90° End Cap Model)

Standard Slot Size 25 mm								
No. of Slots	1 Slot	2 Slot	3 Slot	4 Slot	5 Slot	6 Slot	7 Slot	8 Slot
Neck Size A (mm)	45	89	133	177	221	265	309	355
Neck Size B (mm)	81	125	170	215	260	304	347	393

Standard Slot Size 20 mm								
No. of Slots	1 Slot	2 Slot	3 Slot	4 Slot	5 Slot	6 Slot	7 Slot	8 Slot
Neck Size A (mm)	40	79	118	157	198	235	274	315
Neck Size B (mm)	76	115	154	193	235	272	312	354

Standard Slot Size 16 mm								
No. of Slots	1 Slot	2 Slot	3 Slot	4 Slot	5 Slot	6 Slot	7 Slot	8 Slot
Neck Size A (mm)	36	70	104	138	172	206	240	274
Neck Size B (mm)	72	106	140	174	208	244	276	313

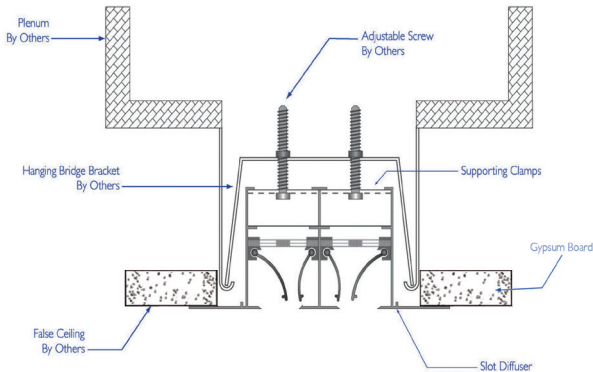
**MOUNTING / FINISH OPTIONS**

Available in powder coated RAL 9010 or 9016 as standard color.

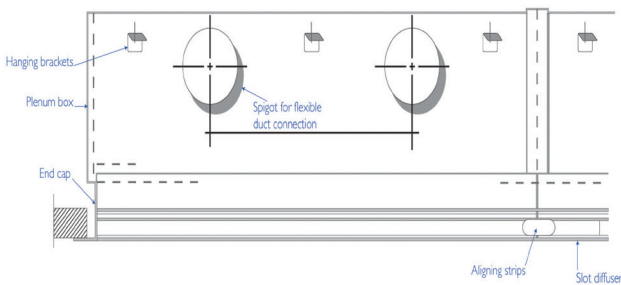
Other powder coated finishes are available on request.

Deflectors and Hit & Miss Damper are powder coated in black color as standard.

Recommended Mounting of Linear Slot Diffuser with a Plenum Box

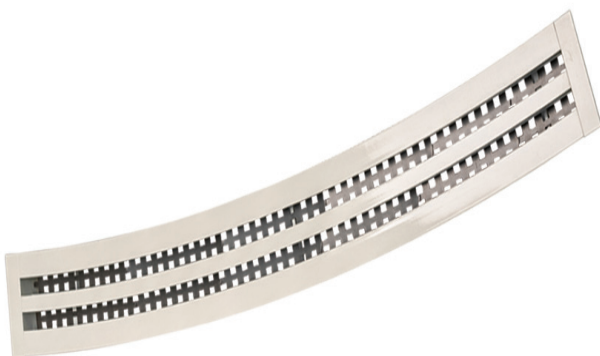


Mounting of Linear Slot Diffuser with a Plenum Box



**Curved Slot Diffusers (CSD)**

Slot diffusers can be supplied as a ceiling type curve with a minimum radius of 1meter. Our technician will assist in taking site measurements for special curvatures.



**ACCESSORIES (90° END CAP MODEL)**

**END CAP (EC)**

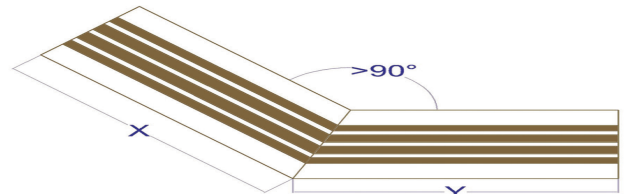
30mm x 60mm "L" shaped removable End Caps are supplied free with each full length to suit any LSD size. The end cap allows the extending or the shortening of slot diffusers lines without replacing existing pieces. A mitred end cap is available upon request.



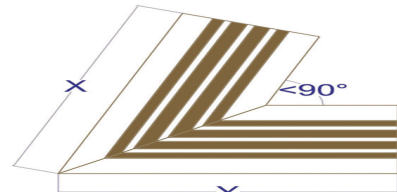
**Corner Piece - Wall (CPW) / Ceiling (CPC)**

300mm x 300mm up to 1200mm x 1200mm Corner Pieces are available at 45° to 135° angles for all standard slot sizes.

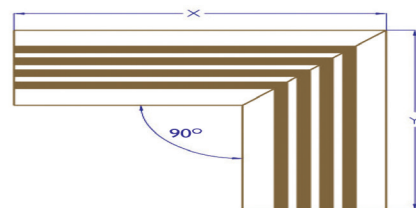
- Ceiling Type Corner > 90°(CPC)



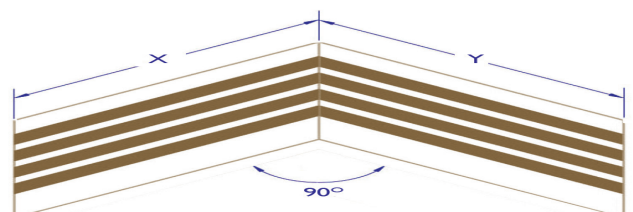
- Ceiling Type Corner < 90°(CPC)



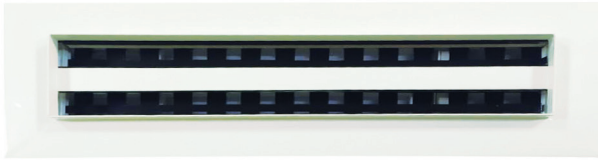
- Ceiling Type Corner 90°(CPC)



- Wall Type Corner 90°(WC)



**SUPPLY LINEAR SLOT DIFFUSER WITH HIT & MISS DAMPER AND WITH DEFLECTORS - HIDDEN FRAME TYPE (SLSD-HF) & RETURN LINEAR SLOT DIFFUSER WITH HIT DAMPER AND WITHOUT DEFLECTORS - HIDDEN FRAME TYPE (RLSD-HF)**



45° Hidden Frame Supply Linear Slot Diffusers (SLSD-HF)

Hidden Frame Design

Available in 1 to 8 slots.

Available only with 45° End Cap

Standard slot width is 1/2" (16mm), 3/4" (20mm) and 1" (25mm).

Frame and curved deflection blades are made of extruded aluminium alloy 6063 to T6 Heat Treatment.

180° fully adjustable air flow patterns by means of two air deflector blades per slot.

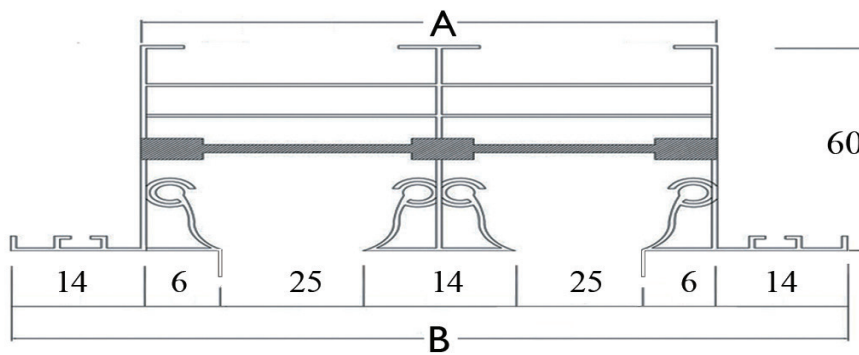
Available in Hit and Miss Damper of GI sheet to control air flow rate without affecting the air flow patterns.

Both Deflector Blades and Hit & Miss Damper are powder coated with black color.

For maximum rigidity, profiles are fixed at equally spaced intervals using Screw Rods and Cylindrical shims of 6mm diameter, made of extruded aluminium.

Maximum of one piece length is 3000mm. Larger pieces are jointed using hairline butt joints held by special alignment strips to ensure continuous unbroken runs.

**DIMENSIONS (FIXED 45° ENDCAP) - SLSD-HF & RLSD-HF**



SLSD-HF with Deflector and Hit & Miss Dampers

Standard Slot Size 25 mm								
No. of Slots	1 Slot	2 Slot	3 Slot	4 Slot	5 Slot	6 Slot	7 Slot	8 Slot
Neck Size A (mm)	45	89	134	177	222	265	309	353
Neck Size B (mm)	91	137	179	223	269	314	355	399

Standard Slot Size 20 mm								
No. of Slots	1 Slot	2 Slot	3 Slot	4 Slot	5 Slot	6 Slot	7 Slot	8 Slot
Neck Size A (mm)	40	79	118	157	196	235	274	313
Neck Size B (mm)	87	125	164	200	242	281	320	359

Standard Slot Size 16 mm								
No. of Slots	1 Slot	2 Slot	3 Slot	4 Slot	5 Slot	6 Slot	7 Slot	8 Slot
Neck Size A (mm)	35	69	103	137	171	205	239	275
Neck Size B (mm)	82	116	150	184	218	252	286	320



**ACCESSORIES**

**Plenum Boxes:**

Suitable for supply and exhaust linear slot diffuser. (SLSD / RLSD, SLSD-S / RLSD-S, SLSD-HF / RLSD-HF)

Galvanized steel construction.

Supply as standard with one side inlet per metre length.

Special constructions available on request.

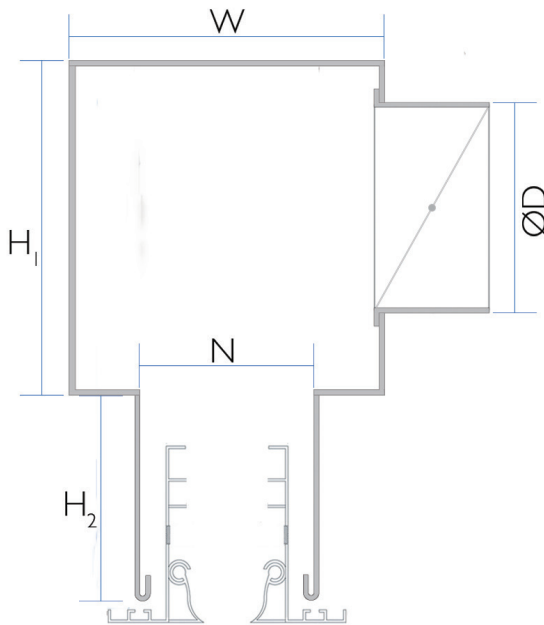
**Options:**

Manual quadrant damper, code RVCD.

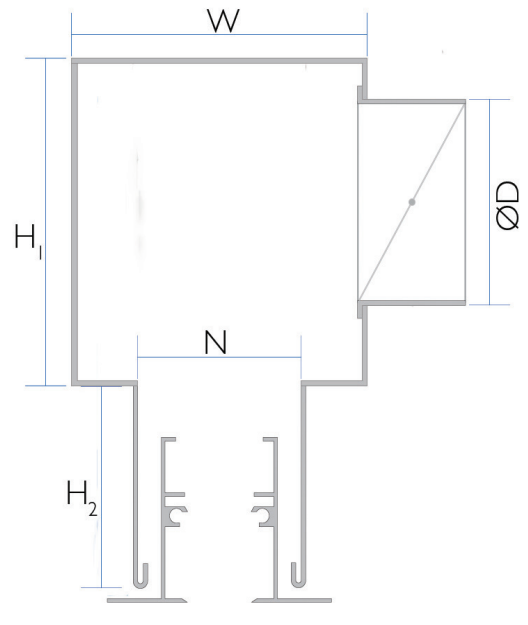
**Sizes:**

Maximum length available 24000mm.

Other Ø D available on request.



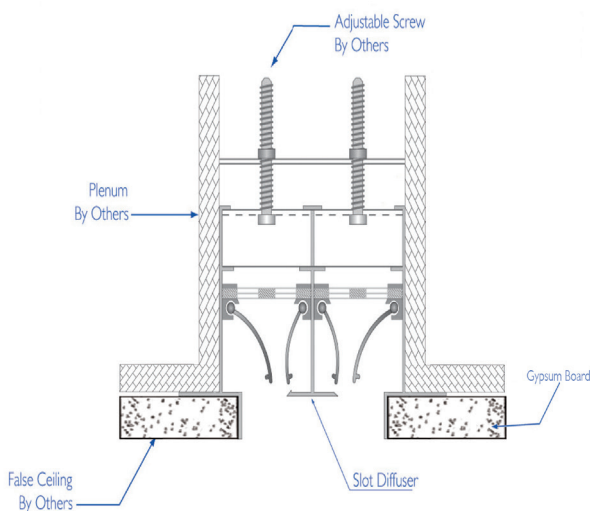
Plenum Boxes, for 45° end cap



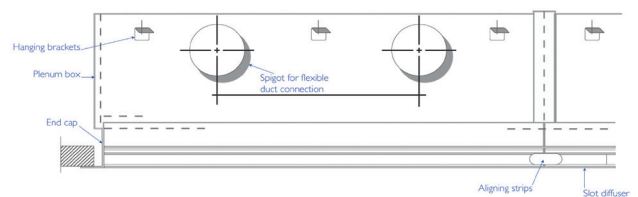
Plenum Boxes for 90° end cap

**MOUNTING OPTION**

Recommended Mounting of Linear Slot Diffuser HF with a Plenum Box



Mounting of Linear Slot Diffuser HF with a Plenum Box



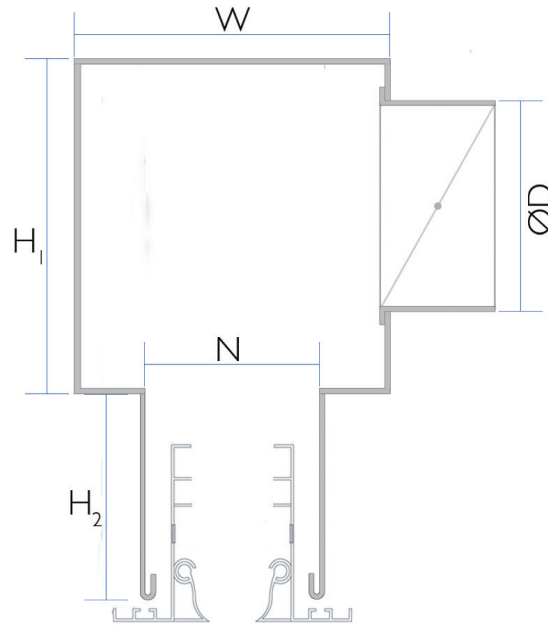
**FINISH OPTION**

Available in powder coated RAL 9010 or 9016 as standard color.

Other powder coated finishes are available on request.

Hit & Miss Damper are powder coated in black color as standard for Light Weight Type

**PLENUM BOXES, FOR 45° END CAP**



**Standard Slot Size 25 mm - 45° END CAP**

No. of Slots	1 Slot	2 Slot	3 Slot	4 Slot	5 Slot	6 Slot	7 Slot	8 Slot
H <sub>1</sub>	225	225	275	275	325	325	375	375
H <sub>2</sub>	75	75	75	75	75	75	75	75
N	53	97	142	185	230	273	317	361
ØD	150	150	200	200	250	250	300	300
W	153	197	243	285	330	373	417	461

**Standard Slot Size 20 mm - 45° END CAP**

No. of Slots	1 Slot	2 Slot	3 Slot	4 Slot	5 Slot	6 Slot	7 Slot	8 Slot
H <sub>1</sub>	225	225	275	275	325	325	375	375
H <sub>2</sub>	75	75	75	75	75	75	75	75
N	48	87	126	165	204	243	282	321
ØD	150	150	200	200	250	250	300	300
W	148	187	226	265	304	343	382	421

**Standard Slot Size 16 mm - 45° END CAP**

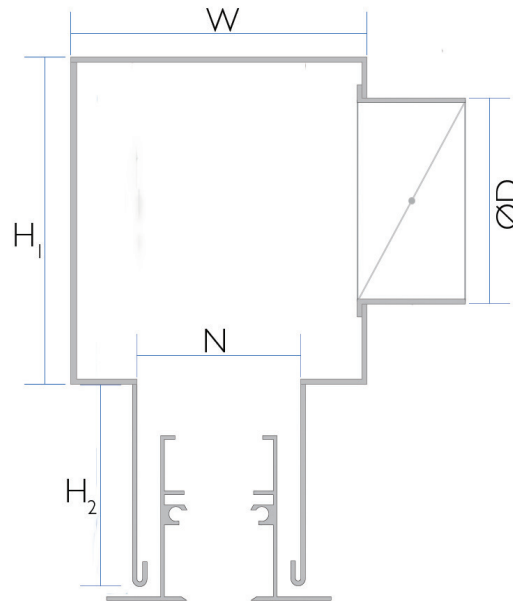
No. of Slots	1 Slot	2 Slot	3 Slot	4 Slot	5 Slot	6 Slot	7 Slot	8 Slot
H <sub>1</sub>	175	225	225	275	275	325	325	375
H <sub>2</sub>	75	75	75	75	75	75	75	75
N	43	77	111	145	179	213	247	283
ØD	100	150	150	200	200	250	250	300
W	143	177	211	245	279	313	347	383

Notes:

The above parameters for 1m length.

Maximum length as a single piece is 2.4m.

**PLENUM BOXES, FOR 90°END CAP**



**Standard Slot Size 25 mm - 90° END CAP**

No. of Slots	1 Slot	2 Slot	3 Slot	4 Slot	5 Slot	6 Slot	7 Slot	8 Slot
H <sub>1</sub>	225	225	275	275	325	325	375	375
H <sub>2</sub>	75	75	75	75	75	75	75	75
N	53	97	141	185	229	273	317	363
ØD	150	150	200	200	250	250	300	300
W	153	197	241	285	329	373	417	463

**Standard Slot Size 20 mm - 90° END CAP**

No. of Slots	1 Slot	2 Slot	3 Slot	4 Slot	5 Slot	6 Slot	7 Slot	8 Slot
H <sub>1</sub>	225	225	275	275	325	325	375	375
H <sub>2</sub>	75	75	75	75	75	75	75	75
N	48	87	126	165	206	243	282	323
ØD	150	150	200	200	250	250	300	300
W	148	187	226	265	306	343	382	423

**Standard Slot Size 16 mm - 90° END CAP**

No. of Slots	1 Slot	2 Slot	3 Slot	4 Slot	5 Slot	6 Slot	7 Slot	8 Slot
H <sub>1</sub>	175	225	225	275	275	325	325	375
H <sub>2</sub>	75	75	75	75	75	75	75	75
N	44	78	112	146	180	214	248	282
ØD	100	150	150	200	200	250	250	300
W	144	178	212	246	280	314	348	382

**Notes:**

The above parameters for 1m length.

Maximum length as a single piece is 2.4m.